

# Quick Start Guide

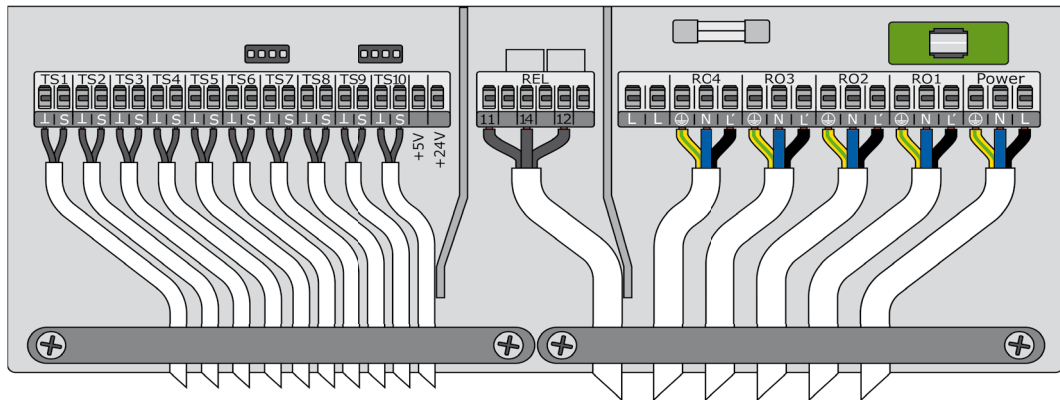
## 1



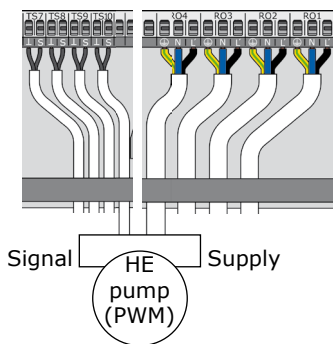
This manual only provides a schematic overview of the commissioning of the controller.

The installation and operating manual must be read; all safety instructions and information must also be observed!

Improper connection or incorrect handling may damage the device and the heating system as well as endanger persons.

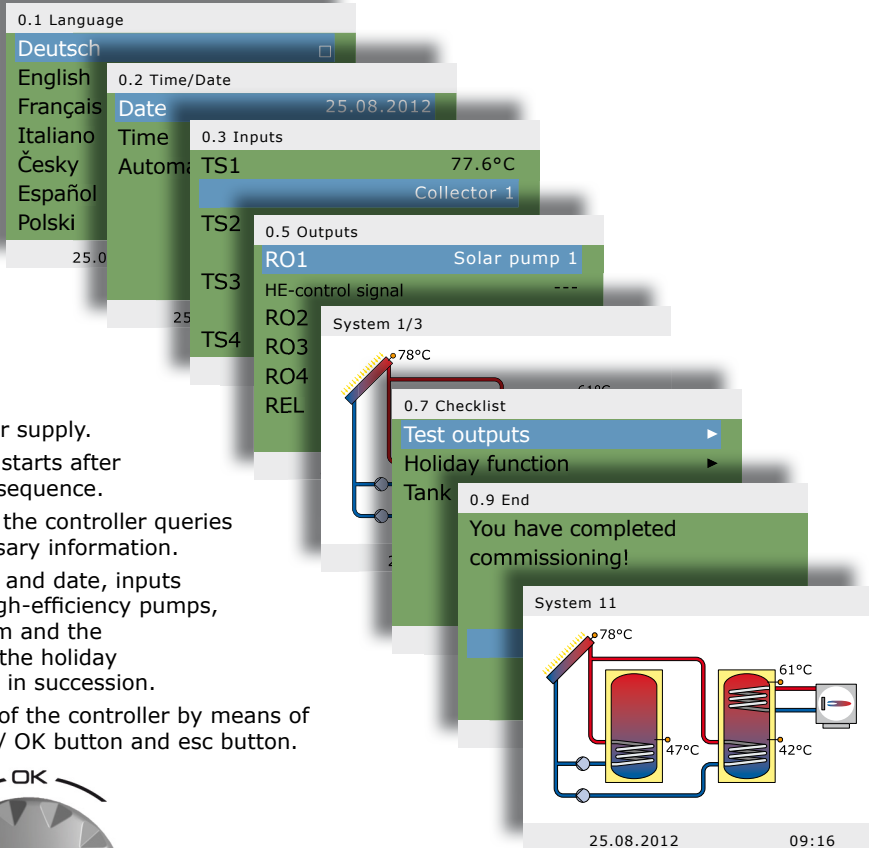


- Open the case and install it at the provided place.
- Install and connect all power supply lines. (The connection diagram may deviate from the illustration.)
- TS terminals on the left terminal block:  
Inputs for Pt 1000 sensors,  
and/or TS7-TS10: PWM signal for high-efficiency pumps  
and/or TS6-TS8 (+TS10) inputs for impeller sensors
- Plug connector behind TS terminals:  
Input for Vortex volumetric flow sensor.
- REL terminals on the centre terminal block:  
Floating relay, mainly for boiler control.
- RO terminals on the right terminal block:  
Triac outputs for the control of pumps and valves.
- Right terminals: Mains connection.
- Install strain relief and close the case.

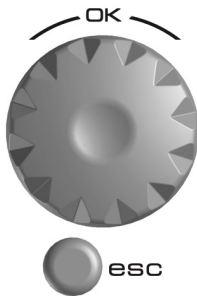


# Quick Start Guide

## 2



- Switch on power supply.
- Commissioning starts after a brief booting sequence.
- In this context, the controller queries all of the necessary information.
- Language, time and date, inputs and outputs, high-efficiency pumps, hydraulic system and the parameters for the holiday function are set in succession.
- Easy operation of the controller by means of rotary encoder / OK button and esc button.



- As soon as the commissioning is completed, the automatic mode is enabled.
- The display shows the hydraulic system, the sensors with current values as well as the operating mode of the pumps and valves.
- Modifications and adjustments to the setting are described in the operating manual.

## 3

- T max and T limit are maximum temperature values which trigger the deactivation of the solar circuit pump.
- T max defines the regular maximum temperature of the storage; however if the collectors are at risk of overheating, the temperature rises to T limit.
- The default temperature at delivery is set to T max = 59°C and T limit = 60°C.
- These values can be adjusted in 1.2.3 and 1.2.5 of the professional mode.